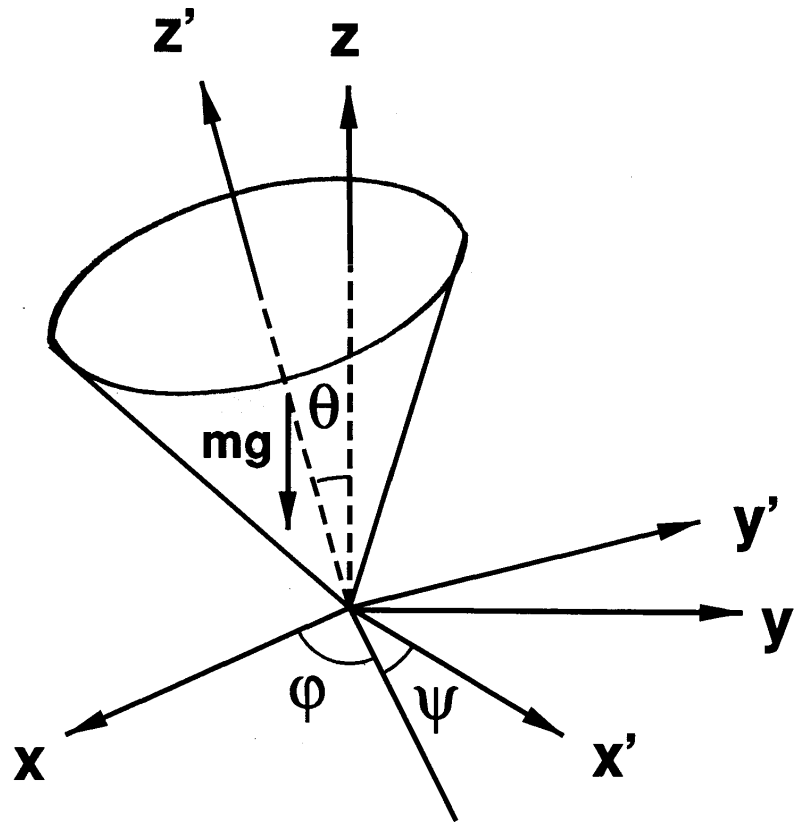
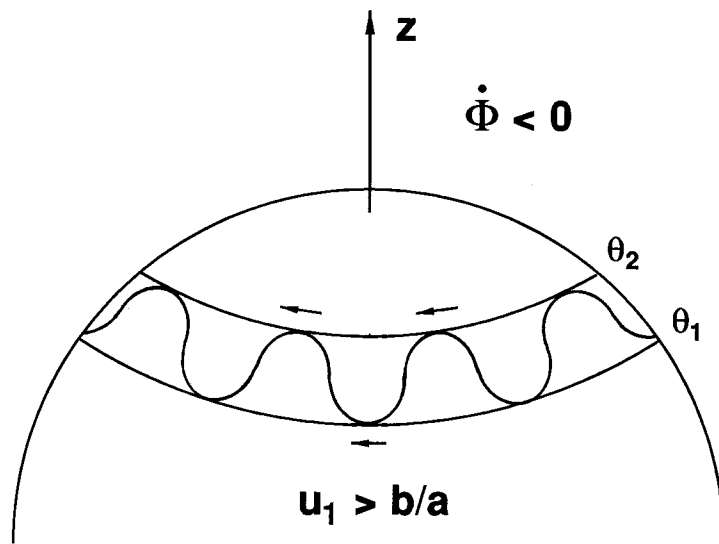
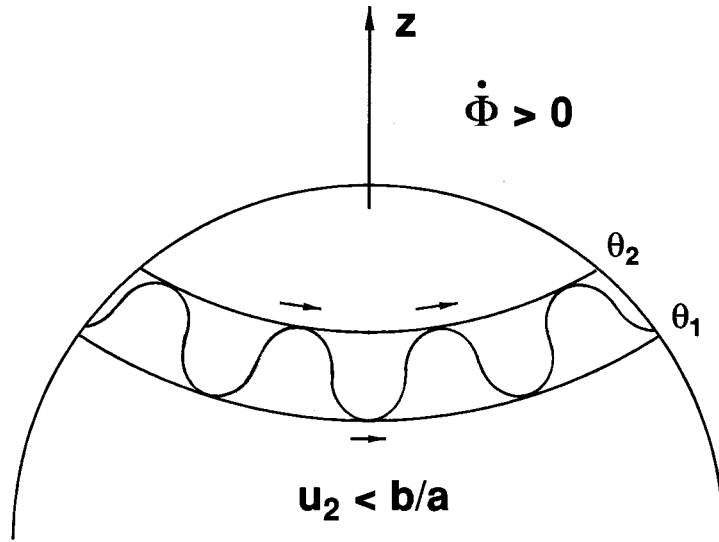


Massive Symmetrical Top with Torque



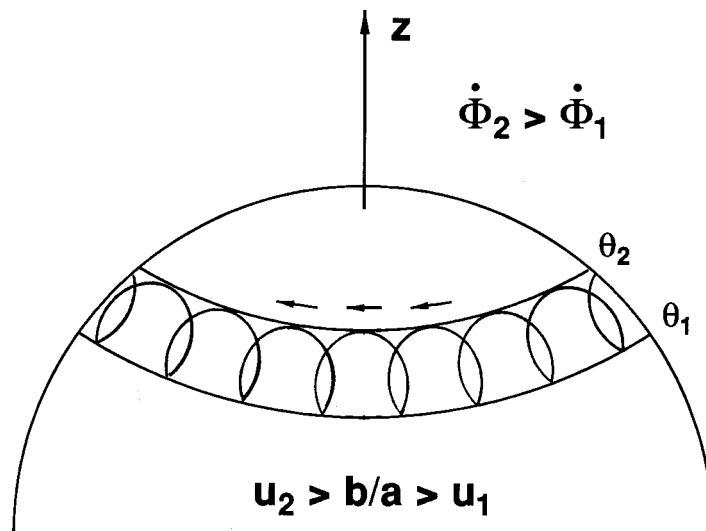
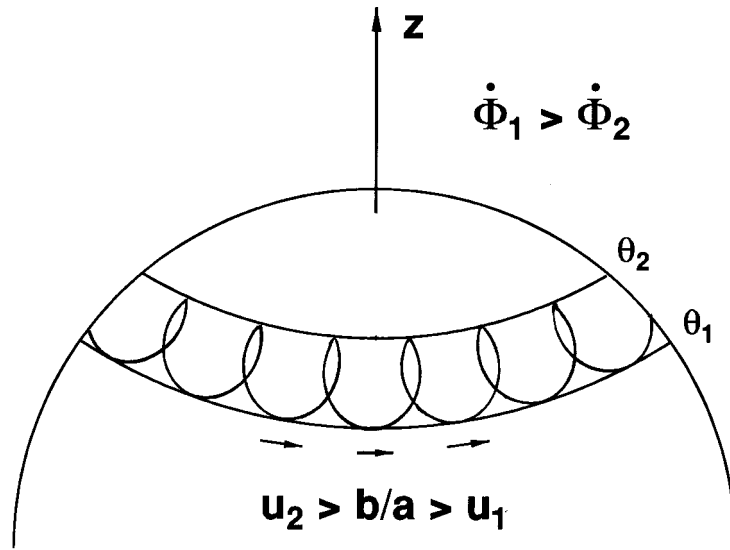
Nutation (I)



Nutation (II)

$b - au < 0$ at $\theta_2 \rightarrow \dot{\Phi}_2$ is negative

$b - au > 0$ at $\theta_1 \rightarrow \dot{\Phi}_1$ is positive



Nutation (III)

